

## 88. Unilift

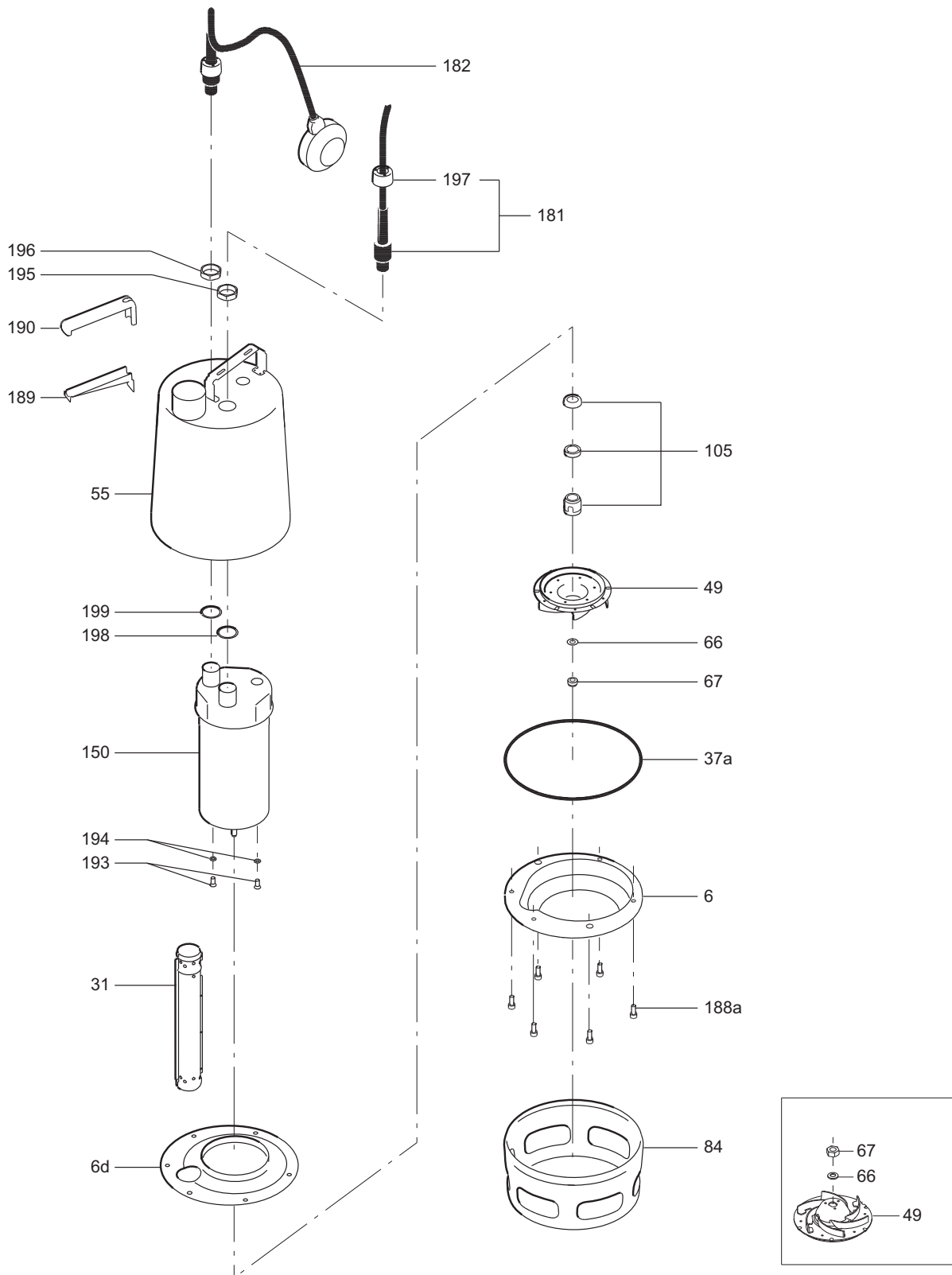
### Unilift AP12, 35, 50

#### 50/60 Hz

#### Shaft seal

Pos.	Pump types	Produced before 0321 (yyww)	
	Material	BQQP	BQQV
	Kit No	96427804	96426650
	Description		
37a	O-ring	1	1
66	Washer	1	1
67	Lock nut	1	1
67a	Protective cap	1	1
105	Shaft seal	1	1
188a	Screw	6	6
193	Screw	2	2
194	O-ring	2	2
198	O-ring	2	2
199	O-ring	1	1
-	Oil for motor	1	1

Unilift AP12, 35, 50



TM02 5230 1615

## Unilift AP35B, AP50B

### Shaft seal

Pos.	Pump type	Produced before 0321 (yyww)	
	Kit No	96429307	96429308
	Description	BQQP	BQQV
37	O-ring	1	1
37a	O-ring	1	1
66	Lock washer	1	1
67	Nut M10	1	1
105a	Shaft seal	1	1
193	Screw	2	2
194	O-ring	2	2
-	Oil for motor	1	1

### Cable (new type)

Plug type	Schuko	Schuko	Schuko	None	None
Kit No	16701	16702	16734	16730	16731
Switch	Float switch	-	Float switch	-	-
Phase	1	1	1	3	3
Cable length [m]	10	10	5	5	10
Nut	2	2	2	2	2
Washer	2	2	2	2	2
Cable complete	1	1	1	1	1

### Cable (old type)

Kit No	96429309	96429310
Description	Automatic	Manual
Motor plug housing	1	1
Intermediate plug	1	1
AMP terminals for power supply	1 set	1 set
AMP terminals for earth conductors	1 set	1 set
Oetiker rings	1 set	1 set
Cable entry with 1 hole	-	1
Cable entry with 2 holes	1	-
Rubber grommet for three-phase	-	1

### Cable

Pos.	Kit No	96487149
	Description	DN 40
182	Cable	1

### Upper guide rail holder

Pos.	Kit No	96829356
-	Upper guide rail 3/4"	1

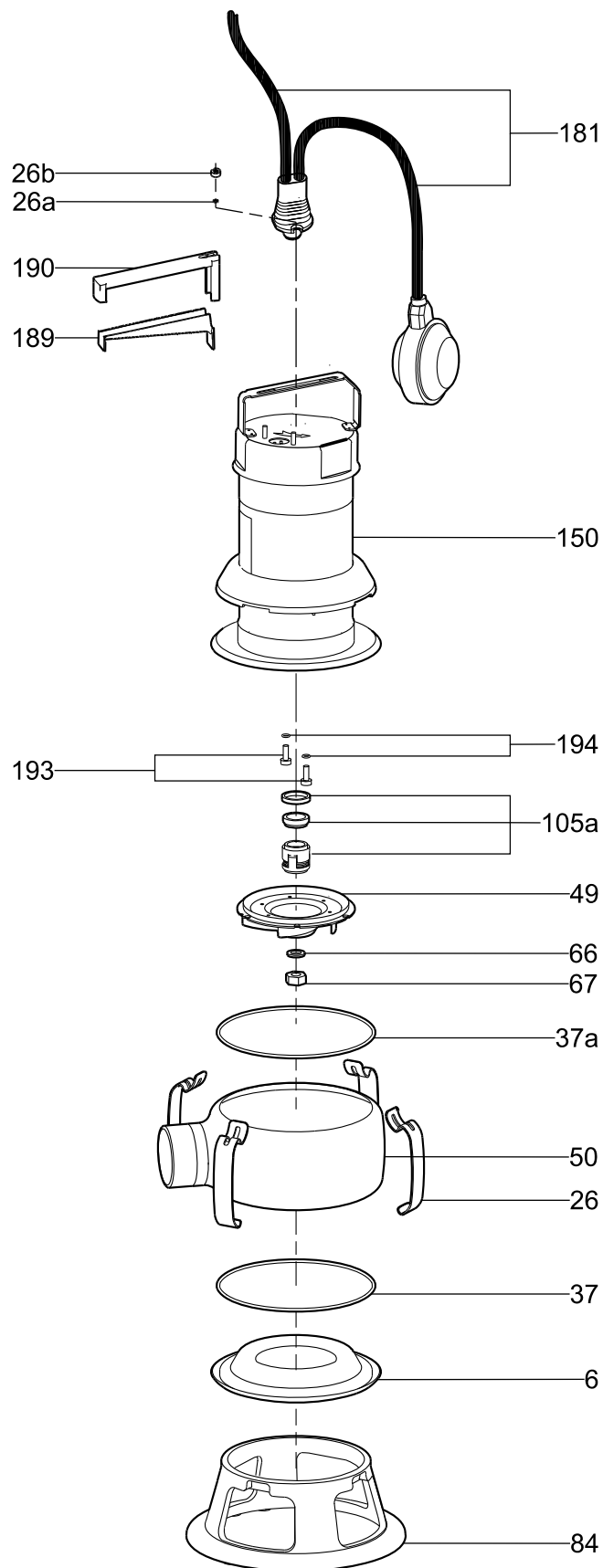
### Guide shoe

Pos.	Outlet	Rp 2	NPT 2
	Description	NBR	NBR
	Kit No	97771479	97771485
-	Rubber seal for guide shoe	1	1
-	Guide shoe	1	1

### SmartSeal

Pos.	Kit No	Rp 2/NPT 2
	Description	NBR
	Kit No	97771488
-	SmartSeal for guide shoe	1

Unilift AP35B, AP50B



TM03 9124 3407

## Unilift CC 5, 7, 9

### 50/60 Hz

#### Bottom part

Pos.	Description	CC 5, 7, 9
	Kit No	97530921
50	Pump housing, inlet	1
37a	O-ring	1

#### Cable

Pos.	Description	50 Hz						60 Hz		
		CC 5			CC 7, CC 9			115 V	230 V	
		Kit No	96578971	97825411	97825415	96578972	97825435	97825438	97513318	97513331
			Schuko	Australia	None	Schuko	Australia	None	US	US
181	Cable, 10 m	1	1	1	1	1	1	1	-	-
	Cable, 32 ft	-	-	-	-	-	-	-	1	1
250	Cable entry	1	1	1	1	1	1	1	1	1
250a	Cable relief	1	1	1	1	1	1	1	1	1
48a	O-ring	1	1	1	1	1	1	1	1	1
48b	Cable crimp	3	3	3	3	3	3	3	3	3

#### Discharge connection

Pos.	Pump type	Unilift CC 5, 7, 9	
	Kit No	97825319	97825327
	Thread type	G	NPT
149b	Discharge connection	1	1
149a	O-ring	1	-
130a	Discharge elbow GAS 1 1/4 - GAS 1 1/4	1	1

#### Float switch

Pos.	Pump type	Unilift CC 5, 7, 9	
	Frequency	50 Hz	60 Hz
	Kit No	96578970	97513612
182	Float switch	1	1
250	Cable entry	1	1
250a	Cable relief	1	1
48a	O-ring	1	1
48b	Cable crimp	4	4

#### Impeller

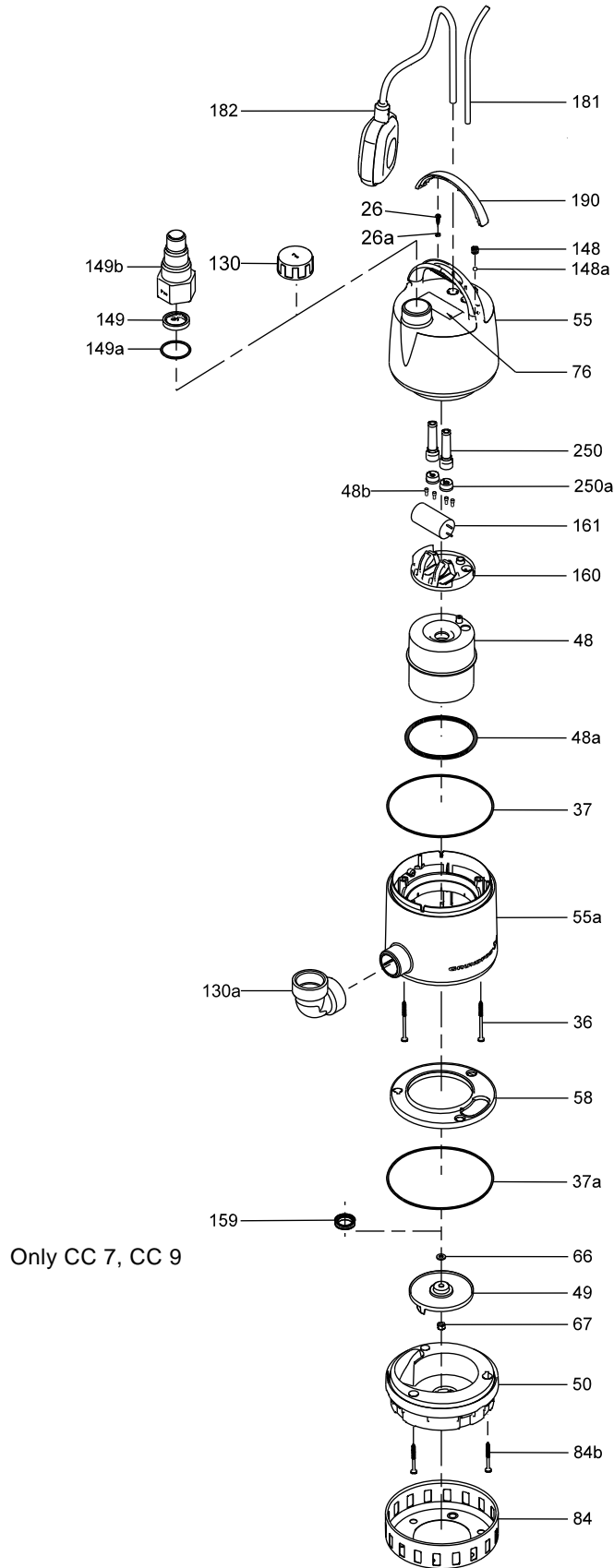
Pos.	Description	50 Hz			60 Hz		
		CC 5	CC 7	CC 9	CC 5	CC 7	CC 9
		Kit No	96578967	96578968	96578969	97512794	97512822
48a	O-ring	1	1	1	1	1	1
49	Impeller	1	1	1	1	1	1
66	Washer	1	1	1	1	1	1
67	Nut	1	1	1	1	1	1
159	V-ring	-	1	1	-	1	1

#### Motor

Pos.	Description	50/60 Hz			60 Hz			
		230			115 V			
		CC 5	CC 7	CC 9	CC 5	CC 7	CC 9	
		Kit No	96578973	96578974	96578975	97513772	97513776	97513778
48	Motor	1	1	1	1	1	1	
48a	O-ring	1	1	1	1	1	1	
48b	Cable crimp	3	3	3	3	3	3	

Unilift CC 5, 7, 9

Unilift CC 5, 7, 9 Unilift



TM03 1101 1005

**Flap valve**

Pos.	Pumpe type	Unilift CC 5, 7, 9 Kit No
149	Rubber flap valve	1
149a	O-ring	1

**O-ring**

Pos.	Pumpe type	Unilift CC 5, 7, 9 Kit No
48a	O-ring	1
37a	O-ring	2
149a	O-ring	1

**Spare part and bulk parts****Capacitor**

Pos.	Description	50/60 Hz		60 Hz		
		230 V	230 V	115 V		230 V
		CC 5	CC 7, CC 9	CC 5, 7	CC 9	CC 7, 9
	Kit No	96578976	96578977	97825310	97825316	97824695
161	Capacitor	10	10	10	10	10
48b	Cable crimp	20	20	20	20	20

**Discharge connection**

Pos.	Pumpe type	Unilift CC 5, 7, 9		Unilift CC 5, 7, 9	
	Kit No	96578979		97825317	
	Thread type	G		NPT	
149b	Discharge connection	10		10	
149a	O-ring	1		-	

**Flap valve**

Pos.	Pumpe type	Unilift CC 5, 7, 9 Kit No
149	Rubber flap valve	10
149a	O-ring	-

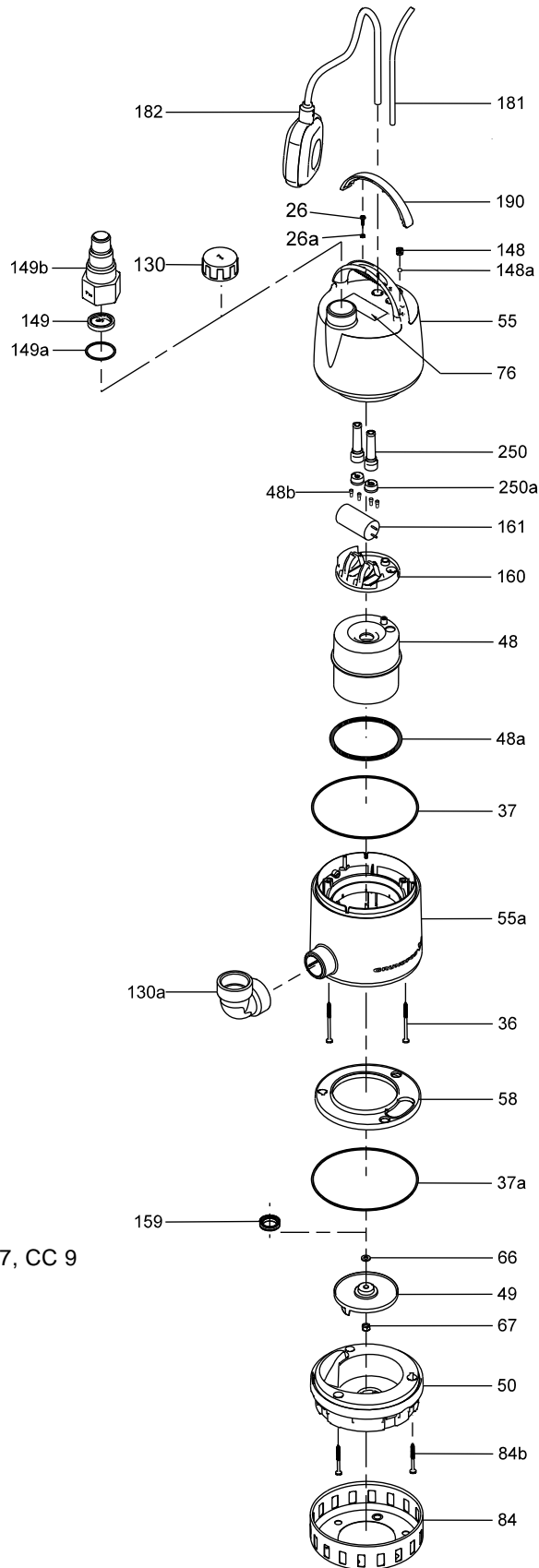
**Handle cover**

Pos.	Pumpe type	Unilift CC 5, 7, 9 Kit No
190	Handle cover	10

**Strainer**

Pos.	Pumpe type	Unilift CC 5, 7, 9 Kit No
84	Strainer	1

Unilift CC 5, 7, 9



Only CC 7, CC 9

TM03 1101 1005



## Unilift KP

## 50/60 Hz, Models A, B, C

## Bearing

Pos.	Pump type	All
	Description/kit No	96551553
188	Bearing complete	1

## Cable

Pos.	Plug type	Australia		CEE		CH		
		Kit No	16715	16716	16735	16736	16712	16710
	Phase	1	1	3	3	1	1	1
	Cable length [m]	5	5	5	10	10	3	10
26	Nut	2	2	2	2	2	2	2
26a	Washer	2	2	2	2	2	2	2
181	Cable	1		1	1	1		
	Cable with float switch		1				1	1

Pos.	Plug type	DK		
		Kit No	16707	16705
	Phase	1		1
	Cable length [m]	10		3
26	Nut	2		2
26a	Washer	2		2
181	Cable	1		-
	Cable with float switch			1

Pos.	Plug type	Schuko					US		No plug	
		Kit No	16702	16703	16700	16701	16704	16728	16729	16725
	Phase	1	1	1	1	1	1, 115 V			
	Cable length	10 m	3 m	3 m	10 m	10 m	10 ft	25 ft	5 m	5 m
26	Nut	2	2	2	2	2	2	2	2	2
26a	Washer	2	2	2	2	2	2	2	2	2
181	Cable	1	-	-	-	-	1	1	1	-
	Cable with float switch	-	-	1	1	-	-	-	-	-
	Cable with level switch	-	1	-	-	1	-	-	-	1

## Impeller, 50 Hz

Pos.	Model:	A and B		C	
		150	250	350	350
				1 x 100-110 V 3 x 200 V 3 x 380-400 V	1 x 220-240 V as from 0108 (yyww)
	Pump type	150	250	350	350
	Kit No	015778	015779	015785	015787
	Description				
37	Sealing part	1	1	1	1
49	Impeller	1	1	1	1
67	Lock nut	1	1	1	1

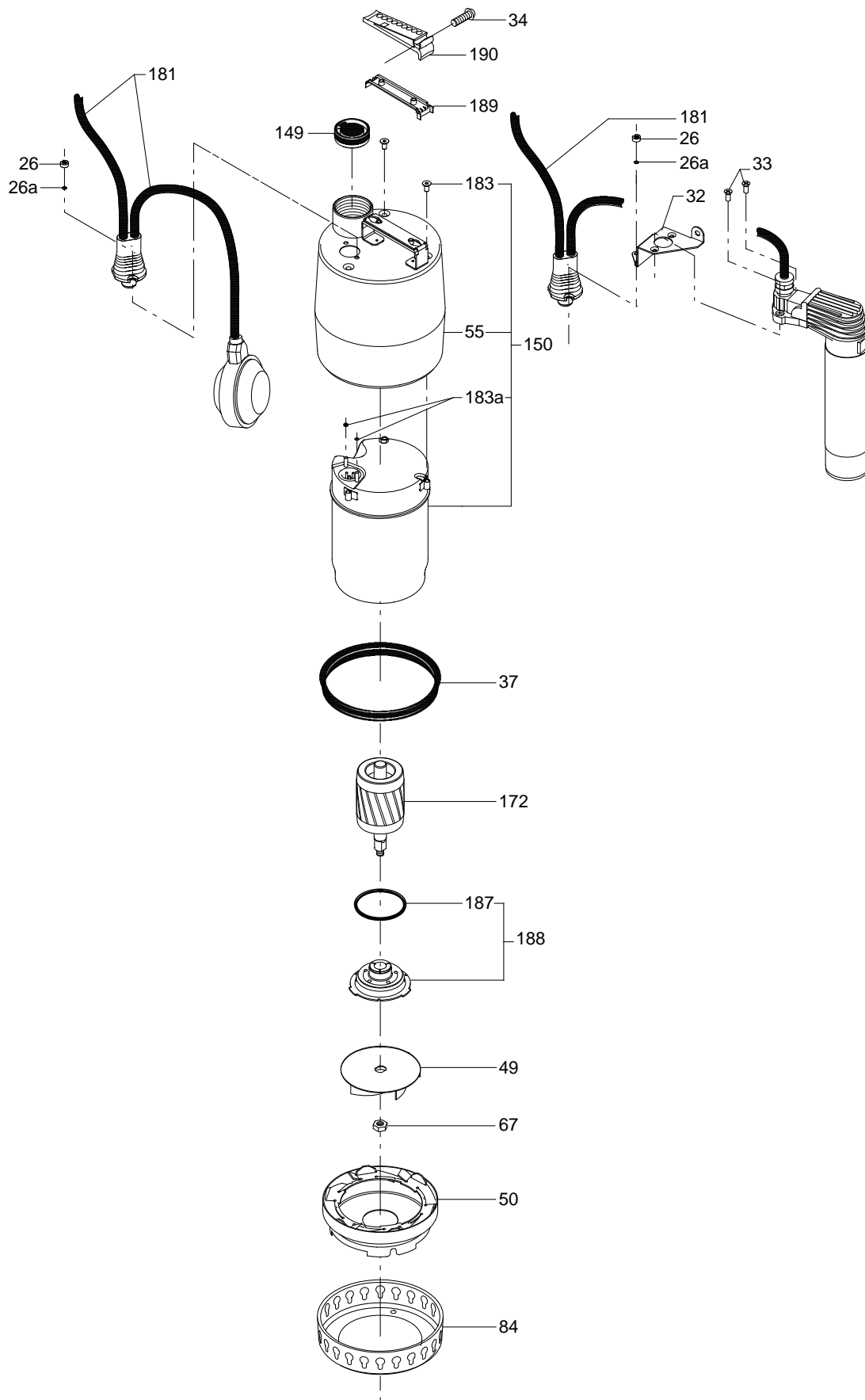
## Impeller, 60 Hz

Pos.	Model	A and B		C
		150	250	350
	Pump type	150	250	350
	Kit No	015783	015784	015786
	Description			
37	Sealing part	1	1	1
49	Impeller	1	1	1
67	Lock nut	1	1	1

## Strainer

Pos.	Pump type	150, 250	350
	Description/kit No	96548064	96548066
84	Strainer	1	1

Unilift KP



TM00 1639 2499

**Guide shoe**

Pos.	Outlet	Rp 2	NPT 2
	Rubber type	NBR	NBR
	Kit No	97771479	97771485
	<b>Description</b>		
-	Rubber seal for guide shoe	1	1
-	Guide shoe	1	1

**Rubber valve**

Pos.	Pump type	All
	Description/kit No	15220
149	Rubber valve	1

**Shaft with rotor**

Pos.	Pump type	150		250		350	
		50 Hz 220-240 V		50/60 Hz 220-240 V		50 Hz 3 x 380-415 V	
		50/60 Hz 220-240 V		50/60 Hz 220-240 V		3 x 380-415 V	
	<b>Description/kit No</b>	<b>96545200</b>	<b>96545201</b>	<b>96645534</b>	<b>96645534</b>	<b>96645536</b>	<b>96645536</b>
172	Shaft with rotor	1	1	1	1	1	1

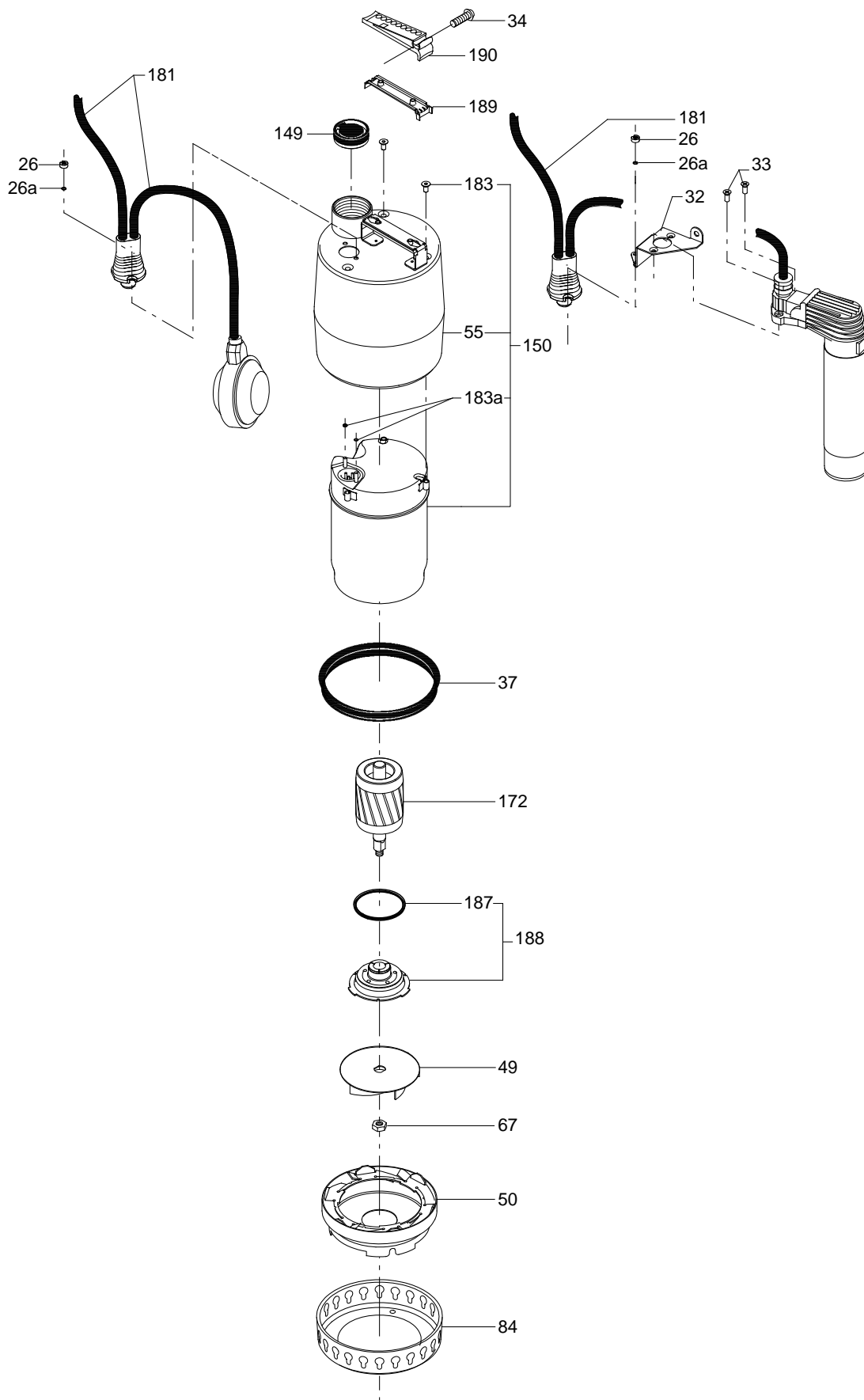
Pos.	Plug type	None								
		Kit No	96590416	16726	16739	96590417	16738	16724	96590414	96590415
		Switch	-	-	Level switch	Level switch	Level switch	Float switch	Float switch	Float switch
	<b>Phase</b>	1	1	1	1	1	1	1	1	
	<b>Cable length [m]</b>	5	10	3	5	10	3	5	10	
26	Nut	2	2	2	2	2	2	2	2	
26a	Washer	2	2	2	2	2	2	2	2	
32	Holder for level switch	-	-	1	1	1	-	-	-	
33	Screw	-	-	2	2	2	-	-	-	
34	Screw	-	-	1	1	1	-	1	-	
149	Non-return valve	1	-	1	1	1	1	-	1	
181	Cable complete	1	1	1	1	1	1	1	1	

Pos.	Plug type	None			
		Kit No	16732	16730	16731
		Switch			
	<b>Phase</b>	3, 200 V	3	3	
	<b>Cable length [m]</b>	5	5	10	
26	Nut	2	2	2	
26a	Washer	2	2	2	
181	Cable complete	1	1	1	

**Upper guide rail holder**

Pos.	Kit No	96829356
	Description	DN 40
-	Upper guide rail holder 3/4" (material 1.4301)	1

Unilift KP



TM00 1639 2499